



SURNAME _____

GENDER (TICK)

BOY

GIRL

NAME(S) _____

DATE OF BIRTH _____

SCHOOL NAME _____

PROVINCE _____

EMIS NO. _____

DISTRICT /
REGION _____**Instructions to learners:**

1. The use of calculators is not allowed.
2. Answer all questions in the spaces provided.
3. The test duration is 60 minutes.
4. The teacher will lead you through the practice exercises before you start the test.

Practice exercises**Example 1****Circle the correct answer.**

The multiple of 5 in the following list is ...

17; 22; **25**; 31You have done it correctly if you have circled **25** as above.

1. Circle the correct answer.

1.1 The multiple of 10 in the following list is ... (1)

102 112 120 153

1.2 The prime number in the following list is ... (1)

19 21 33 39

1.3 The fraction that has the same value as 0,6 is ... (1)

$\frac{1}{6}$ $\frac{3}{5}$ $\frac{1}{3}$ $\frac{3}{6}$

2. Write down the missing decimal.

7, 005 ; 7, 010 ; 7, 015 ; 7, 020 ; _____ . (1)

3. Write the number in digits.

Four million two hundred and eighty three thousand one hundred and sixty four. (1)

4. For each number write the value of the underlined digit:

4.1 3 503 _____ (1)

4.2 3 503 _____ (1)

5. Write down all the factors of 24.

_____ (2)

6. Complete:

6.1 4 633 rounded off to the nearest 100 is _____ (1)

6.2 4 687 rounded off to the nearest 1000 is _____ (1)

7. 10% of 180 is equal to

_____ (2)

8. Calculate:

8.1 1 678 + 8 694

_____ (2)

8.2 3 784 – 1 231

_____ (2)

8.3 5 2 3 4
 4 1 4 2 3
+ 5 2 3 1 2

_____ (1)

8.4 4 8 9 9 5 3
 – 3 4 8 6 5 1

_____ (1)

8.5 8 250 ÷ 50

_____ (2)

8.6 2 010 x (20 + 4)

_____ (4)

9. Calculate:

9.1 $197 + (10 \times 7) \div 5$

(3)

9.2 $31,67 + 21,93$

(2)

10. Calculate and write your answer as a mixed number.

10.1 $8\frac{3}{10} - 4\frac{1}{5}$

(4)

10.2 $5\frac{1}{2} + 3\frac{1}{8} + \frac{3}{4}$

(4)

11. Dr Mololo travels 90 km to the hospital. For every 10 km that she travels, her car uses 2 litres of petrol. How many litres of petrol does the car use to drive to the hospital? (3)

12. 11 copies of a book cost R330. How much will 6 copies of the same book cost? (3)

13. Write the following as a number sentence: (2)

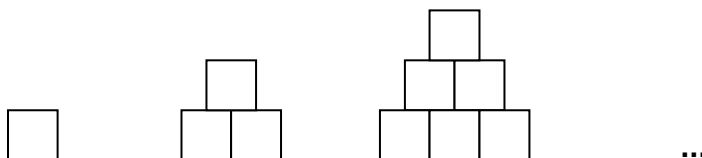
Our school grounds had twelve trees. On Arbor day we doubled the number. Three trees dried up and we are left with twenty one.

14. Calculate the value of x if $x - 41 = 12$ (1)

15. What is the seventh number in the following sequence? (1)

5; 10; 15; 20; ...

16. Ingrid has stacked some blocks. Use the same pattern to draw the fifth stack. (2)



Stack 1

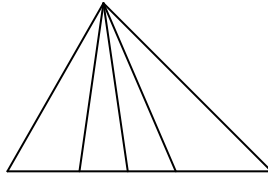
Stack 2

Stack 3

...

Stack 5

17. The figure below is made up of triangles of different sizes:



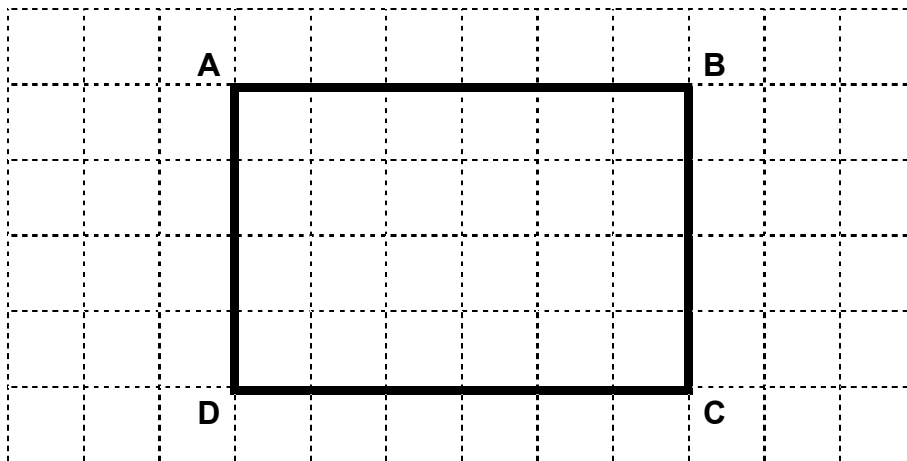
How many triangles are there in this figure? _____ (2)

18. Write down the name of one shape with:

18.1 All four sides equal. _____ (1)

18.2 Two pairs of opposite sides equal. _____ (1)

19. On the grid below, each block represents 1 cm by 1 cm. ABCD is a rectangle.



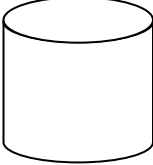

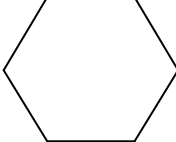
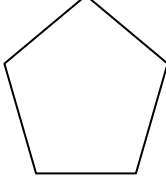
19.1 The length of side AB = _____ cm (1)

19.2 The length of side AD = _____ cm (1)

19.3 How many square centimetres are in ABCD? _____ cm² (1)

20. Write down the name of each figure in the spaces below.

(4)

			
20.1	20.2	20.3	20.4

21. Use this Bus Timetable to answer the questions that follow.

Place	Arrival Time	Departure Time
Durban	08:30	09:00
Bloemfontein	14:40	15:10
Cape Town	05: 00	08:00

21.1 How many hours **and** minutes does it take the bus to travel from Durban to Bloemfontein?

(2)

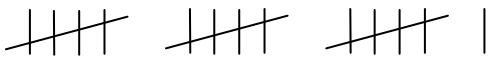
21.2 Circle the letter of the correct answer.

(1)

How many hours does it take the bus to travel from Durban to Cape Town?

- a. 9
- b. 20
- c. 14
- d. 17

22. The following tally chart shows the number of lions and giraffes which learners saw in the zoo.

Animal	Tally marks	Total
Lion		
Giraffe		12

Complete your answers in the table above.

- 22.1 How many lions did the learners see? (1)
- 22.2 Fill in the correct number of tally marks for the number of giraffes seen. (1)

23. Nobese has 3 black, 4 red, 2 blue and 3 green balls in a bag



- 23.1 The ratio of blue balls to green balls = _____ . (2)
- 23.2 Nobese takes out a ball from the bag, without looking into the bag.
The chance that she takes out a red ball is _____ out of _____ . (2)
- 23.3 Circle the letter of the correct answer.
Nobese's chance of picking up a black ball is (1)
- certain.
 - possible.
 - impossible.

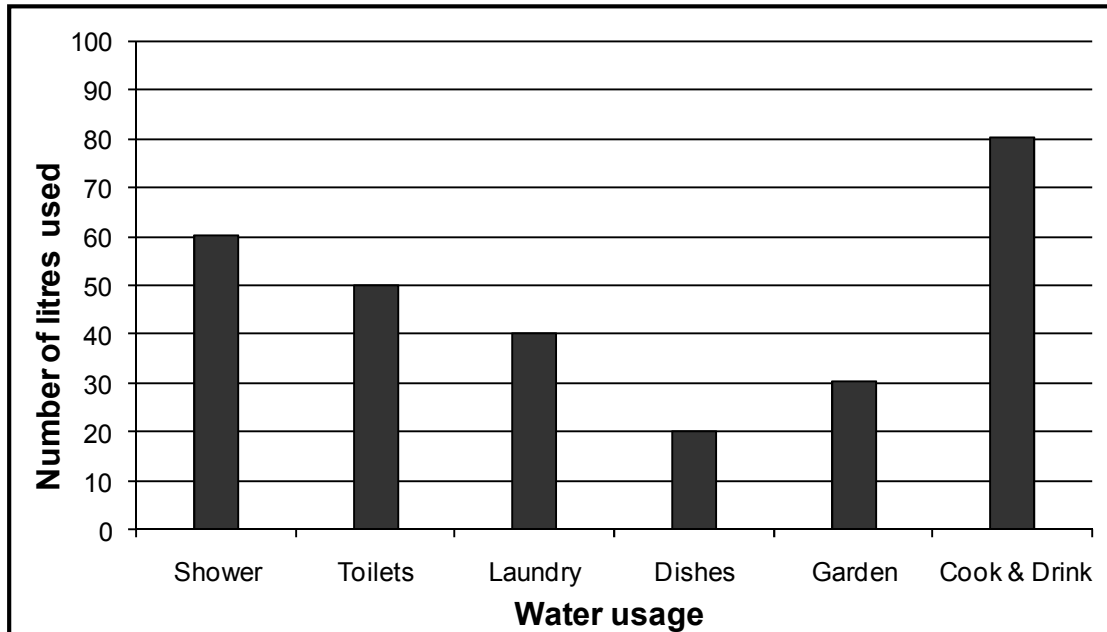
24. The following are the shoe sizes of some Grade 6 learners.

7	8	7	6	5
5	7	4	6	7
8	4	7	5	6

24.1 What is the **mode** of the shoe sizes? _____ (1)

24.2 What is the **median** of the shoe sizes? _____ (1)

25. The following graph represents water usage of one household per week. Use the information in the graph to answer the following questions.



25.1 How many litres of water does the household use to Shower and Garden? (1)

25.2 What is the difference between this household's water usage of Dishes and Cook & Drink? (1)

Total = [75]

End of test! Thank you